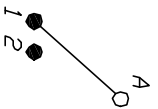
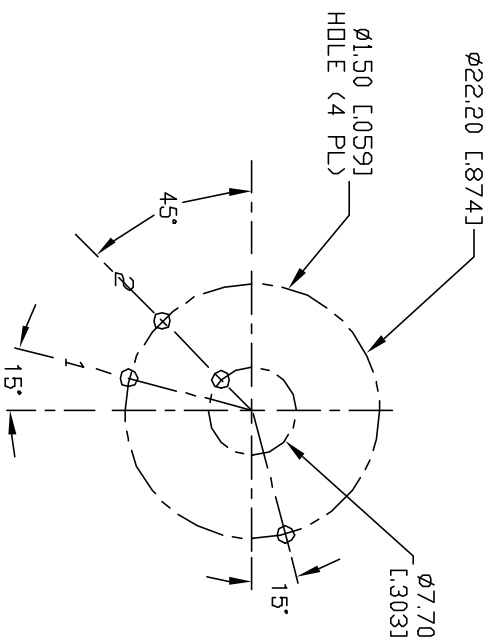


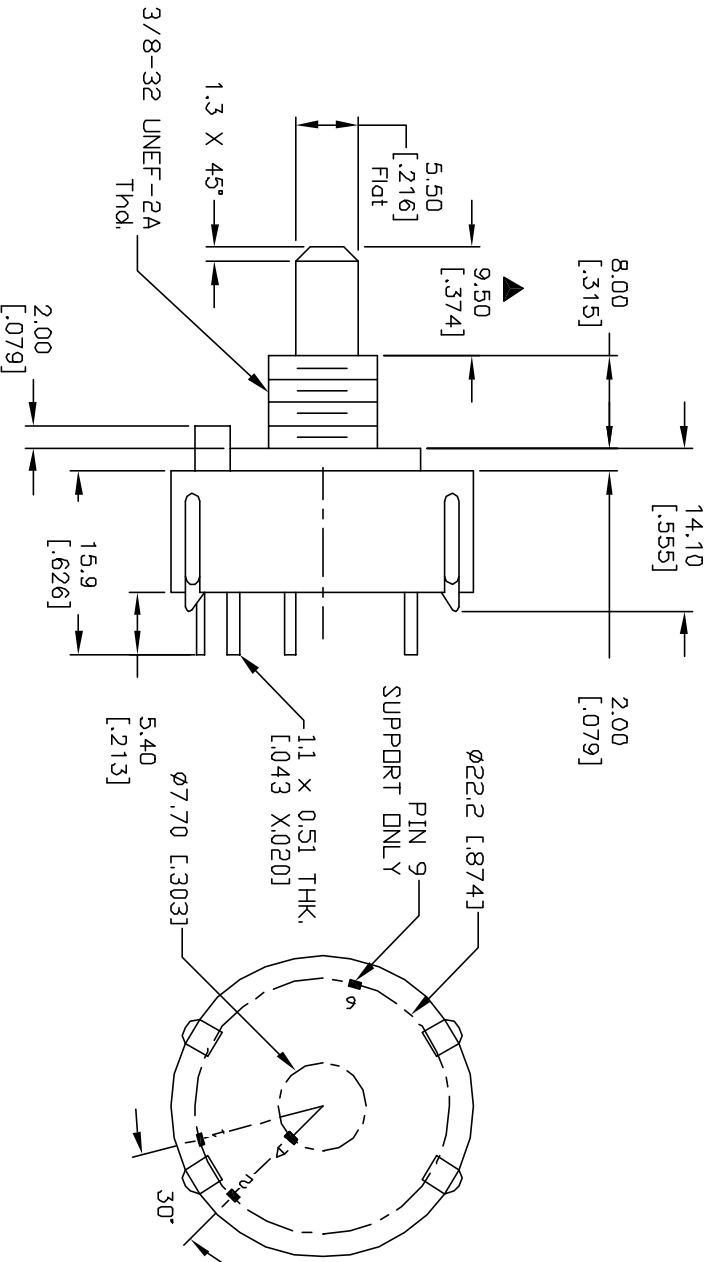
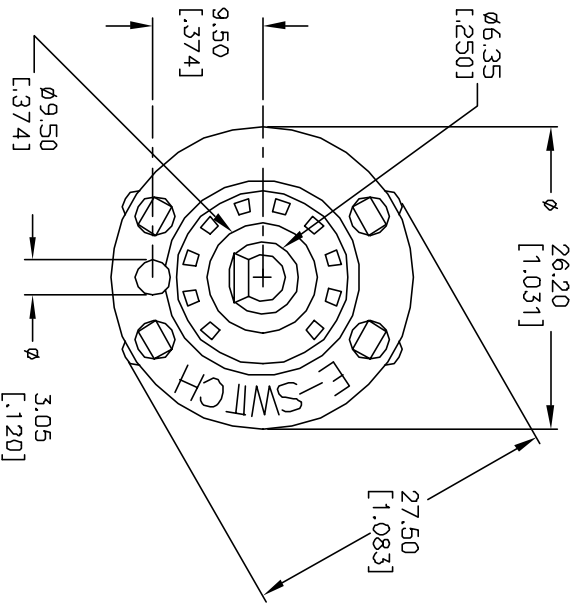
- NOTES:
1. ALL DIMENSION IN MM [INCH]
  2. GENERAL TOLERANCE: X.X=±0.4  
X.XX=±0.25
  3. TERM. NOS. FOR REF. ONLY
  4. CONTACT RATING SWITCHING: 150mA, 250V AC/DC
  5. OPERATING FORCE: 425±100 CM/STANDARD
  6. OPERATING TEMP: -30° to 85°C
  7. CIRCUIT SP: 2 POSITIONS, 30° INDEX.
  8. DIELECTRIC STRENGTH: 1000V RMS min. @ SEA LEVEL
  9. DESIGNATE MAJOR DIMENSIONS
  10. LOCK NUT AND WASHER NOT SHOWN.



CONTACT CONFIGURATION (M/B)



RECOMMENDED P.C.B. LAYOUT



**E-SWITCH®**

KC-12-E-01-N-P-S

REV.	ECN No.	DESCRIPTION	DATE	CHKD
A	11301	RELEASED FOR PRODUCTION	3/14/01	CJB

TITLE	SCALE	DATE	DR	DWG	REV
KC-12-E-01-N-P-S	1.5:1	3/14/01	CJB	G527520	A

THE INFORMATION CONTAINED IN THIS DOCUMENT IS PROPRIETARY TO E-SWITCH AND IS NOT TO BE COPIED OR TRANSFERRED